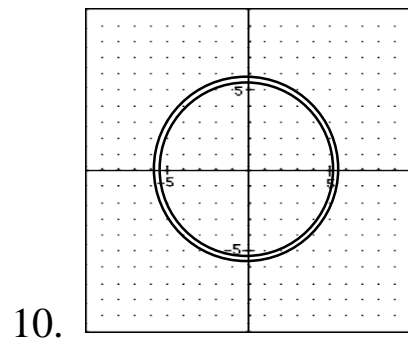
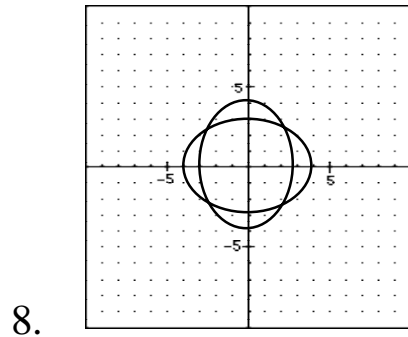
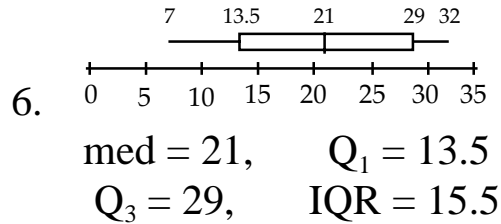


## Problem Set 68 — Even Answers

2. 400 gal of 20%  
600 gal of 80%

4. 15 dimes, 20 quarters



12.  $Y_1 = \frac{\sqrt{144 - 4x^2}}{3}$ ,  $Y_2 = -Y_1$

14. (12.361, 38.042)

16. (-24.249, -14)

18.  $g^{-1}(x) = \frac{3 - 2x}{3x + 4}$

20.  $m_1 = \frac{m_2x}{am_2 - xy}$

22.  $x = \frac{1}{3} \pm \frac{\sqrt{10}}{3} \approx -0.721, 1.387$

24. 2

26.  $\frac{p^3x - 1}{xy - p^2}$

28.  $m = \frac{2}{\cos 30^\circ} \approx 2.309$

30.  $P = \left(8 + \frac{57}{45}\pi\right) \text{ in} \approx 11.979 \text{ in}$

$A = \frac{38}{15}\pi \text{ in}^2 \approx 7.959 \text{ in}^2$