


Algebra One Even Answers

PS 49: 2] Range=35, Median = 74.5, Mode=71, Mean = 78.5

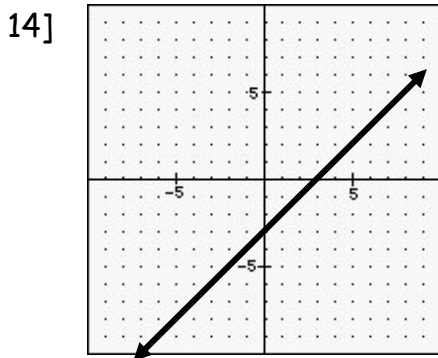
- 4] a) $r = 22\pi \approx 69.115$ 4b] $A \approx 121\pi \text{ in}^2 \approx 380.133$ 6] 260% 8] $\frac{2}{5}$
 10] 45 12] $-\frac{13}{11}$ 14] b^3c^2 16] $\frac{ad^2 + 32d^3 + 4mx}{4d^4}$ 18] $2x^2 - x - 6$
 20] $4m^3px(2xy^4 - 1)$ 22] $\frac{1}{m^5x^{-3}y^{-1}} = \frac{x^3y}{m^5}$ 24] $-8p^3x^2y - 2p^{-1}xy$ 26] $\frac{9}{4}$
 28] 23 30] $320\pi \approx 1005.310 \text{ yd}^2$

PS 50:

- 2] 10 4] 1400 6]  8] $\frac{1}{6}$ 10] 3.5
 12] $-\frac{1}{5}w - \frac{6}{5}$ 14] Graph the point (-3,4) 16] $\frac{62}{63}$ 18] $x^5 - x^3 + 5x - 3$
 20] $x^3 - x^2 + x + 3$ 22] $\frac{x^5}{y^7}$ 24] m^2xy 26] $\frac{3}{4}$
 28] $(20 + 10\pi)\text{cm} \approx 51.416$ 30] $288 + 96\pi \approx 589.593 \text{ in}^3$


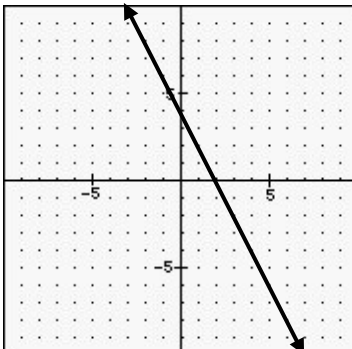
PS 51:

- 2] Range = 24, Median=15, Mode=15, Mean=14.56 4] a] 3.183 cm
 4b] 31.831 cm² 6] 165.6 8] -2 10] -2.1 12] -32



- 16] $\frac{16x + c + 4mx^3}{4x^3}$ 18] $4x^4 - x^3 - 5x + 3$
 20] $x^2 + 6x + 9$ 22] $\frac{x^5}{p^2y^2}$
 24] $-8p^3x^2y - 2p^3xy$ 26] $-\frac{3}{4}$
 28] 2400 sq in. 30] $2112\pi \approx 6635.044 \text{ ft}^2$

PS 52:

- 2] 25.5 lb 4] 672 6]  8] $\frac{3}{2}$
 10] 3.15 12] $-\frac{3}{2}a + \frac{5}{2}$ 14]  16] $\frac{4ad + a^2b^2c - bdm}{a^3b^2d}$
 18] $x^3 - 5x^2 + 4x + 11$
 20] $5x^3 + 17x^2 + 19x + 7$
 24] $\frac{-x^2}{m^5y^2} + \frac{3x^2y^2}{m^5}$ 26] $\frac{3}{4}$ 22] $\frac{p^{14}}{x^2}$
 30] $6000 + 1500\pi \approx 10712.389 \text{ m}^3$ 28] 110 cm.